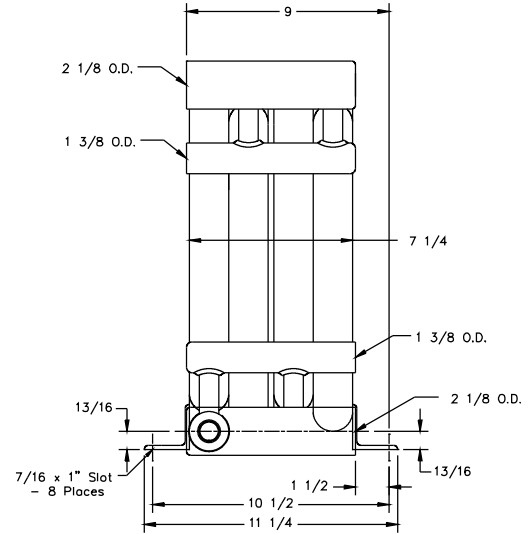
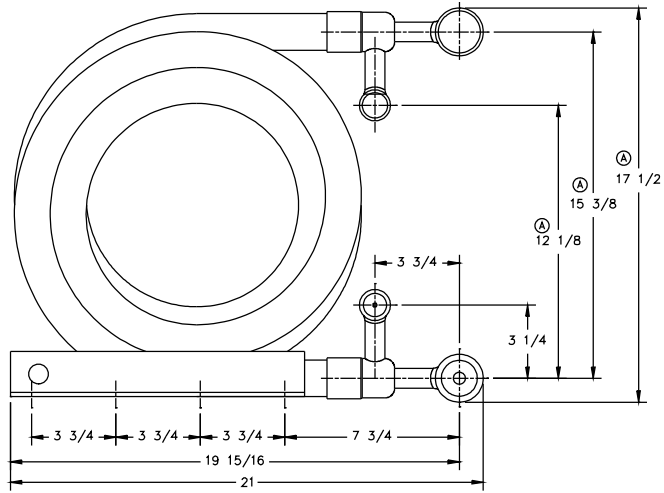


PMH-400 Rev C

DWG. NO. B-283802 SHT OF 1 1 REV A



A	Revised per ECN #0002167	08-26-13	P.J.D.
LTR	REVISIONS	DATE	APPR'D
<p>©2009 Packless Metal Hose, Inc. All Rights Reserved. No rights or licenses, whether express, implied, arising by estoppel, or otherwise are granted or conveyed. Packless Metal Hose, Inc. is the owner of all worldwide rights, titles, and interests in and to the content of the drawings and all intellectual property rights therein, including, but not limited to, all rights and copyrights. Any use of any of the drawings without the express written approval of Packless Metal Hose, Inc. is forbidden.</p>			

PACKLESS INDUSTRIES

DRWN BY E. Cardenas 07-12-13	ENG. APPR P.J.D. 07-12-13
CHKD BY	MFG. APPR

TITLE	#A220SR8071 COAX-7800-S-13-310
	#A222SR8071 COCX-7800-S-13-310

FINISH	Black Enamel Point
--------	--------------------

UNLESS OTHERWISE SPECIFIED TOLERANCES ON FRACTIONS ± 3/8 DECIMALS ± .005 ANGLES

SCALE	1/4
DWG. NO.	B-283802
SHT OF	1 1
REV	A

MATERIAL