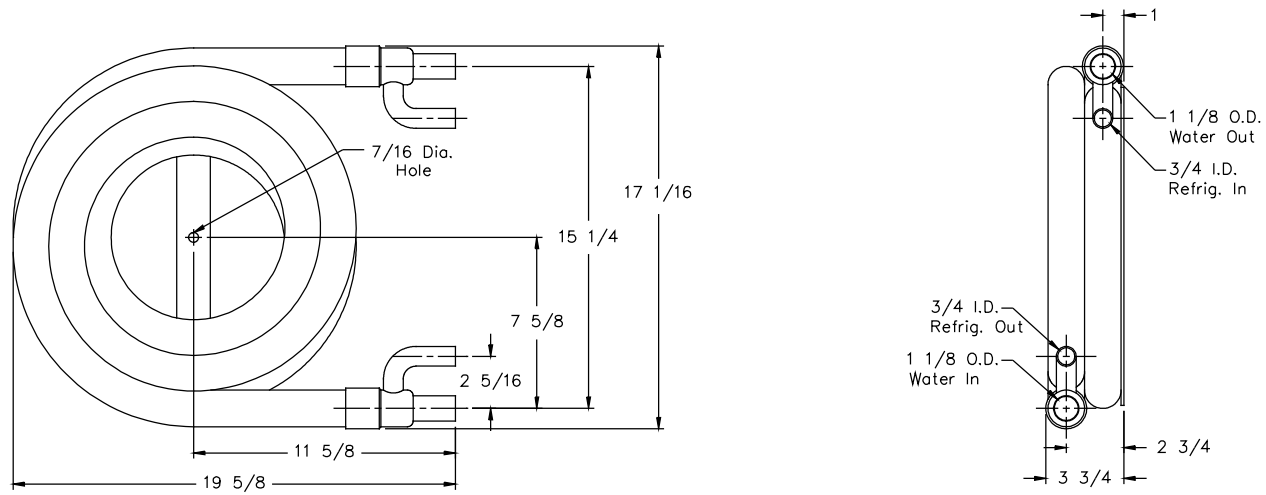


PMH-400 Rev C

DWG. NO. B-283512 SHT OF 1 1 REV



LTR	REVISIONS	DATE	APPR'D

©2009 Packless Metal Hose, Inc. All Rights Reserved. No rights or licenses, whether express, implied, arising by estoppel, or otherwise are granted or conveyed. Packless Metal Hose, Inc. is the owner of all worldwide rights, titles, and interests in and to the content of the drawings and all intellectual property rights therein, including, but not limited to, all rights and copyrights. Any use of any of the drawings without the express written approval of Packless Metal Hose, Inc. is forbidden.

PACKLESS INDUSTRIES				TITLE		FINISH		UNLESS OTHERWISE SPECIFIED TOLERANCES ON	
DRWN BY		ENG. APPR		#A220SP8081 COAX-7501-S-13-182		Block		FRACTIONS ± 3/8	
B. Malcom 12-10-13		P.J.D. 12-10-13		#A222SP8081 COCX-7501-S-13-182		Enamel		DECIMALS	
CHKD BY		MFG. APPR		SCALE 1/4		Point		ANGLES	
				DWG. NO. B-283512		SHT OF 1 1		MATERIAL	