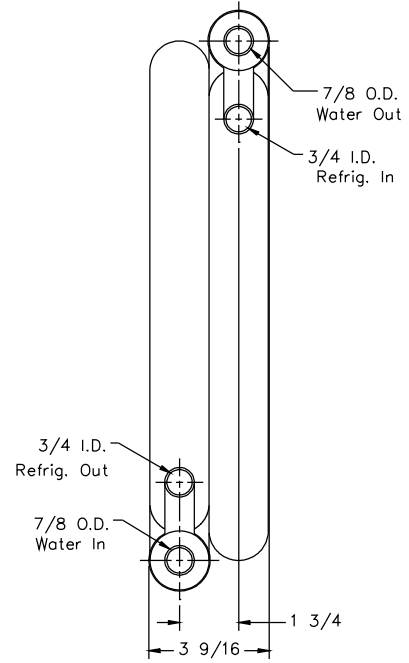
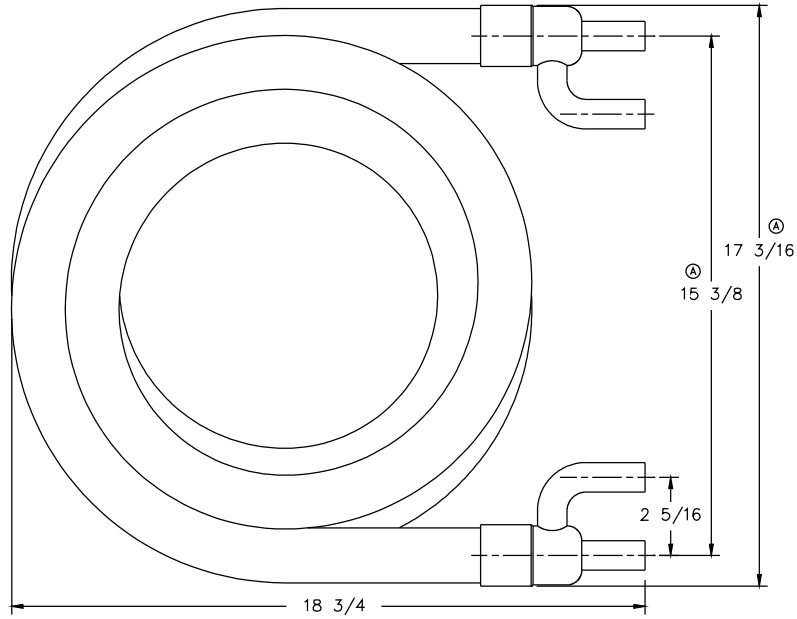


PMH-400 Rev C

DWG. NO.	SHT	OF	REV
B-283402	1	1	A



A	Revised per ECN #0002167	08-26-13	P.J.D.
LTR	REVISIONS	DATE	APPR'D

©2009 Packless Metal Hose, Inc. All Rights Reserved. No rights or licenses, whether express, implied, arising by estoppel, or otherwise are granted or conveyed. Packless Metal Hose, Inc. is the owner of all worldwide rights, titles, and interests in and to the content of the drawings and all intellectual property rights therein, including, but not limited to, all rights and copyrights. Any use of any of the drawings without the express written approval of Packless Metal Hose, Inc. is forbidden.

PACKLESS INDUSTRIES

DRWN BY	ENG. APPR
E.Cardenas 11-29-12	P.J.D. 11-29-12
CHKD BY	MFG. APPR

TITLE	SCALE	DWG. NO.	SHT	OF	REV
#A220SP8011 COAX-7400-S-13-155	3/8	B-283402	1	1	A
#A222SP8011 COCX-7400-S-13-155					

FINISH
Black Enamel Paint

UNLESS OTHERWISE SPECIFIED TOLERANCES ON FRACTIONS ± 3/8 DECIMALS ANGLES MATERIAL
