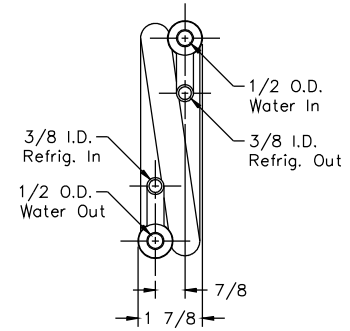
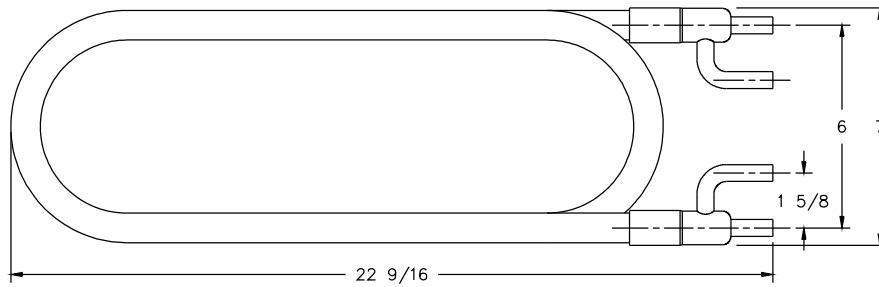


PMH-400 Rev C

DWG. NO.	SHT OF	REV
B-283104	1 1	



LTR	REVISIONS	DATE	APPR'D

©2009 Packless Metal Hose, Inc. All Rights Reserved. No rights or licenses, whether express, implied, arising by estoppel, or otherwise are granted or conveyed. Packless Metal Hose, Inc. is the owner of all worldwide rights, titles, and interests in and to the content of the drawings and all intellectual property rights therein, including, but not limited to, all rights and copyrights. Any use of any of the drawings without the express written approval of Packless Metal Hose, Inc. is forbidden.

PACKLESS INDUSTRIES

DRWN BY E.Cardenas	04-25-14	ENG. APPR P.J.D.	04-25-14
CHKD BY		MFG. APPR	

TITLE	#A220TE8001 COAX-7100-T-07-85
	#A222TE8001 COCX-7100-T-07-85
SCALE	3/8

FINISH	Black Enamel Point	UNLESS OTHERWISE SPECIFIED TOLERANCES ON FRACTIONS ±3/8 DECIMALS ANGLES
DWG. NO.	B-283104	MATERIAL