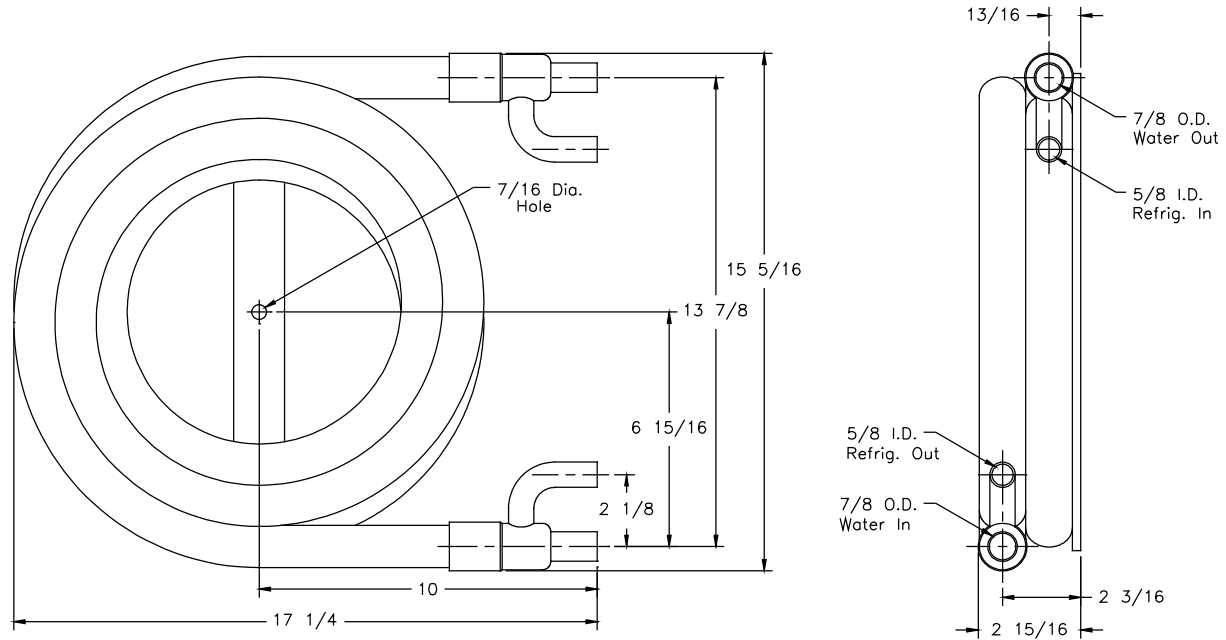


PMH-400 Rev C

DWG. NO. B-280368 SHT OF 1 1 REV



LTR	REVISIONS	DATE	APPR'D

©2009 Packless Metal Hose, Inc. All Rights Reserved. No rights or licenses, whether express, implied, arising by estoppel, or otherwise are granted or conveyed. Packless Metal Hose, Inc. is the owner of all worldwide rights, titles, and interests in and to the content of the drawings and all intellectual property rights therein, including, but not limited to, all rights and copyrights. Any use of any of the drawings without the express written approval of Packless Metal Hose, Inc. is forbidden.

PACKLESS INDUSTRIES

DRWN BY E.Cardenas 06-14-10	ENG. APPR P.J.D. 06-14-10
CHKD BY	MFG. APPR

TITLE #A210SM8081 COAX-2351-S-10-172

SCALE 3/8	DWG. NO. B-280368	SHT OF 1 1	REV
-----------	-------------------	------------	-----

FINISH Black Enamel Point

UNLESS OTHERWISE SPECIFIED TOLERANCES ON FRACTIONS ± 3/8 DECIMALS ANGLES MATERIAL