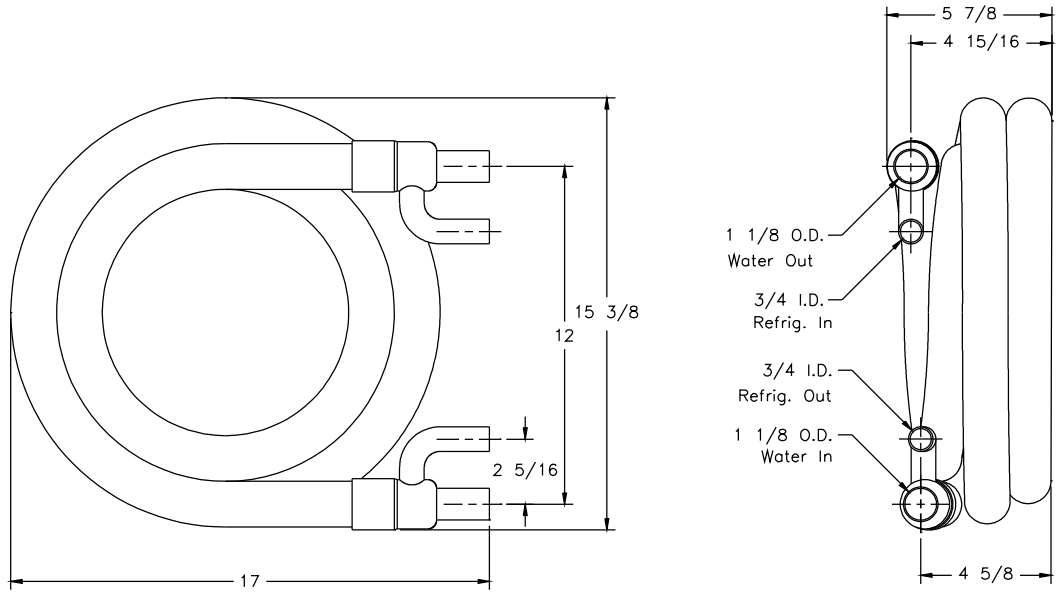


PMH-400 Rev C

DWG. NO. B-283507 SHT OF 1 REV



LTR	REVISIONS	DATE	APPR'D

©2009 Packless Metal Hose, Inc. All Rights Reserved. No rights or licenses, whether express, implied, arising by estoppel, or otherwise are granted or conveyed. Packless Metal Hose, Inc. is the owner of all worldwide rights, titles, and interests in and to the content of the drawings and all intellectual property rights therein, including, but not limited to, all rights and copyrights. Any use of any of the drawings without the express written approval of Packless Metal Hose, Inc. is forbidden.

PACKLESS INDUSTRIES

DRWN BY E.Cardenas	01-26-12	ENG. APPR P.J.D.	01-26-12
CHKD BY		MFG. APPR	

TITLE	#A220JP8001 COAX-7500-J-13-178
	#A222JP8001 COCX-7500-J-13-178
SCALE	5/16

FINISH	Black Enamel Point
--------	--------------------

UNLESS OTHERWISE SPECIFIED TOLERANCES ON FRACTIONS ± 1/2 DECIMALS ANGLES MATERIAL

DWG. NO. B-283507 SHT OF 1 REV