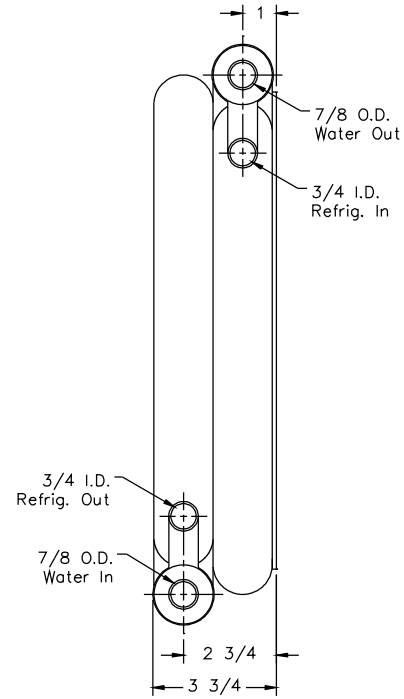
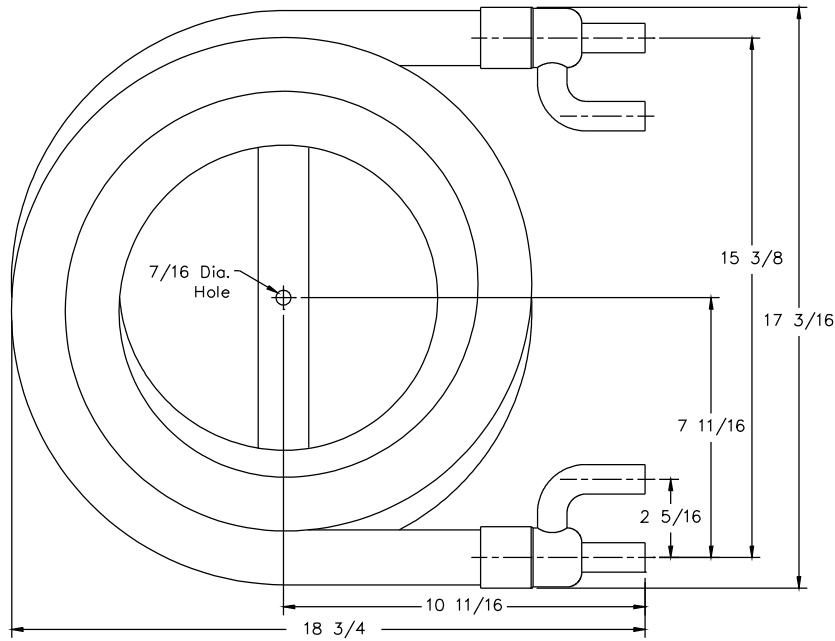


PMH-400 Rev C

| | | | |
|----------|-----|----|-----|
| DWG. NO. | SHT | OF | REV |
| B-283412 | 1 | 1 | |



| LTR | REVISIONS | DATE | APPR'D |
|-----|-----------|------|--------|
| | | | |

©2009 Packless Metal Hose, Inc. All Rights Reserved. No rights or licenses, whether express, implied, arising by estoppel, or otherwise are granted or conveyed. Packless Metal Hose, Inc. is the owner of all worldwide rights, titles, and interests in and to the content of the drawings and all intellectual property rights therein, including, but not limited to, all rights and copyrights. Any use of any of the drawings without the express written approval of Packless Metal Hose, Inc. is forbidden.

PACKLESS INDUSTRIES

DRWN BY
B. Malcom 12-10-13

ENG. APPR
P.J.D. 12-10-13

CHKD BY

MFG. APPR

TITLE
#A220SP8071 COAX-7401-S-13-155
#A222SP8071 COCX-7401-S-13-155

SCALE 3/8
DWG. NO. B-283412
SHT OF 1 1
REV

FINISH
Black
Enamel
Paint

UNLESS OTHERWISE SPECIFIED TOLERANCES ON FRACTIONS ± 3/8 DECIMALS ANGLES MATERIAL