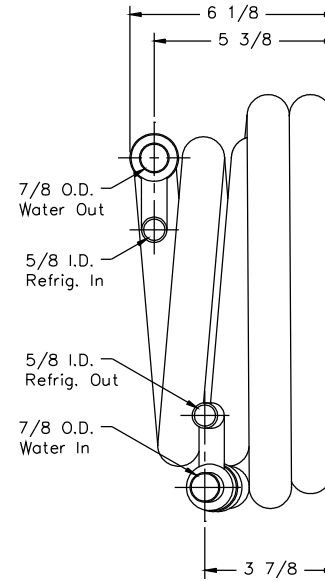
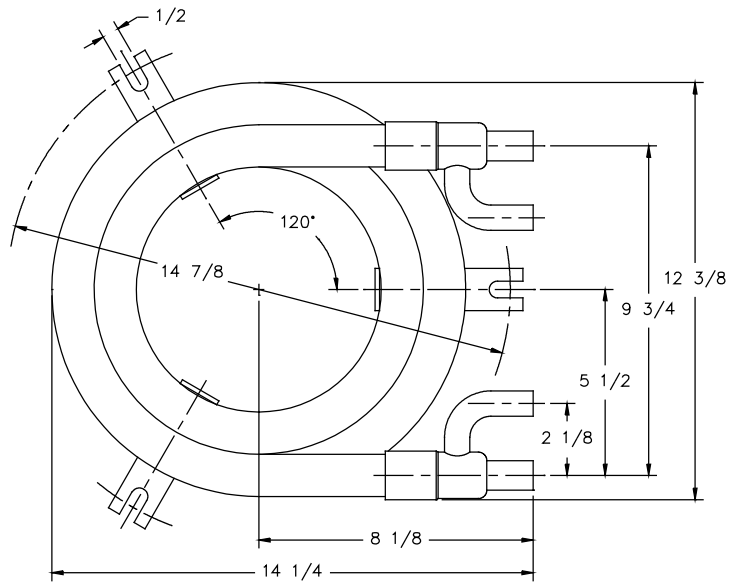


PMH-400 Rev C

DWG. NO. B-283361 SHT. OF 1 1 REV



LTR	REVISIONS	DATE	APPR'D

©2009 Packless Metal Hose, Inc. All Rights Reserved. No rights or licenses, whether express, implied, arising by estoppel, or otherwise are granted or conveyed. Packless Metal Hose, Inc. is the owner of all worldwide rights, titles, and interests in and to the content of the drawings and all intellectual property rights therein, including, but not limited to, all rights and copyrights. Any use of any of the drawings without the express written approval of Packless Metal Hose, Inc. is forbidden.

PACKLESS INDUSTRIES

DRWN BY E. Cardenas 12-05-13
 ENG. APPR P.J.D. 12-05-13
 CHKD BY
 MFG. APPR

TITLE
 #A220JM8011 COAX-7351-J-10-172
 #A222JM8011 COCX-7351-J-10-172

SCALE 3/8
 DWG. NO. B-283361
 SHT. OF 1 1
 REV

FINISH
 Block
 Enamel
 Point

UNLESS OTHERWISE SPECIFIED TOLERANCES ON
 FRACTIONS ± 1/2
 DECIMALS
 ANGLES
 MATERIAL