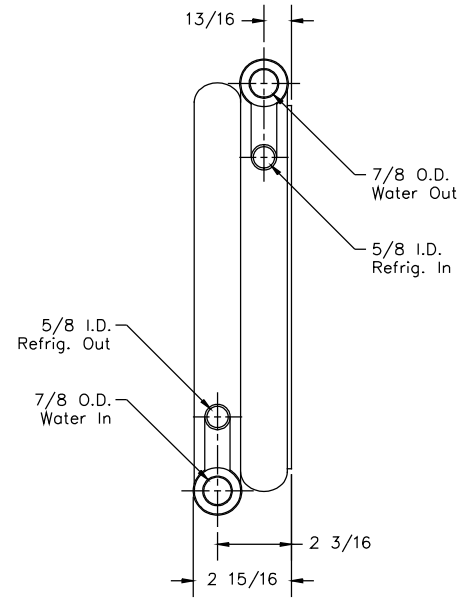
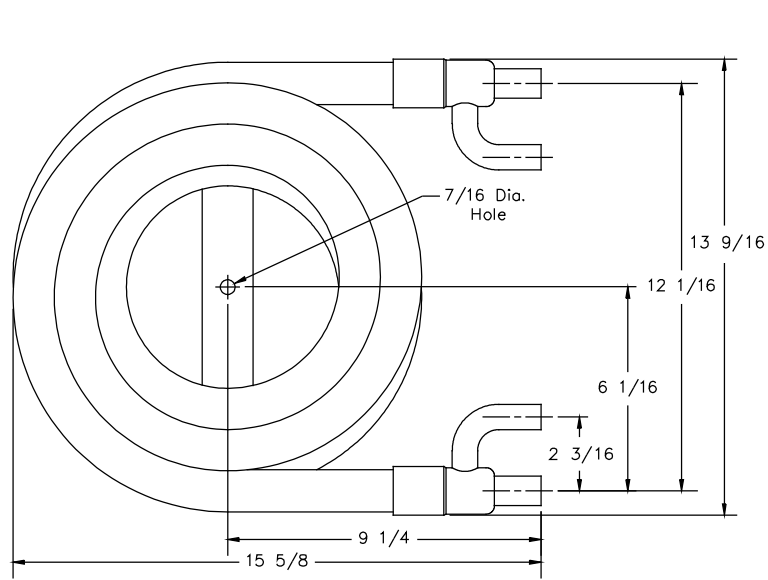


PMH-400 Rev C

DWG. NO. B-283312 SHT OF 1 REV



| LTR | REVISIONS | DATE | APPR'D |
|-----|-----------|------|--------|
| | | | |

©2009 Packless Metal Hose, Inc. All Rights Reserved. No rights or licenses, whether express, implied, arising by estoppel, or otherwise are granted or conveyed. Packless Metal Hose, Inc. is the owner of all worldwide rights, titles, and interests in and to the content of the drawings and all intellectual property rights therein, including, but not limited to, all rights and copyrights. Any use of any of the drawings without the express written approval of Packless Metal Hose, Inc. is forbidden.

PACKLESS INDUSTRIES

| | | | |
|------------------------|----------|---------------------|----------|
| DRWN BY E. Cardenas | 12-05-13 | ENG. APPR P.J.D. | 12-05-13 |
| CHKD BY | | MFG. APPR | |

| | | |
|-------|-------------|--------------------|
| TITLE | #A220SL8061 | COAX-7301-S-10-141 |
| | #A222SL8061 | COCX-7301-S-10-141 |

| | | | | | | | |
|-------|-----|----------|----------|--------|---|-----|--|
| SCALE | 3/8 | DWG. NO. | B-283312 | SHT OF | 1 | REV | |
|-------|-----|----------|----------|--------|---|-----|--|

| | | |
|----------|--------------------|--|
| FINISH | Black Enamel Point | UNLESS OTHERWISE SPECIFIED TOLERANCES ON FRACTIONS ± 3/8 DECIMALS ANGLES |
| MATERIAL | | |