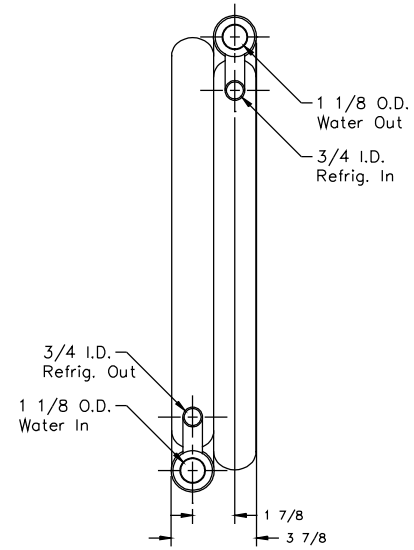
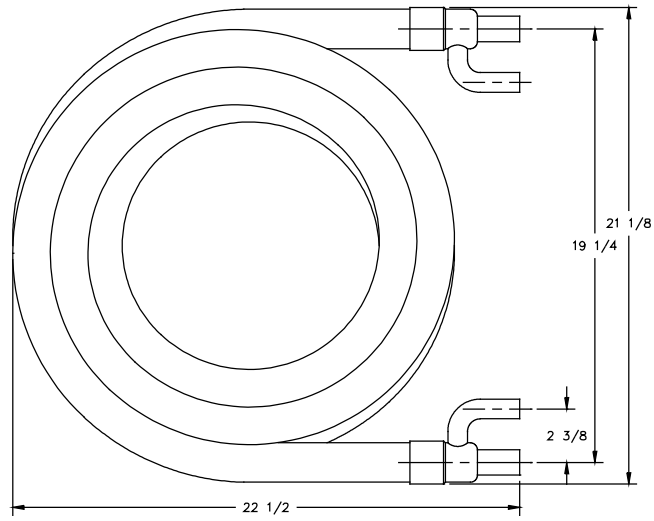


PMH-400 Rev C

DWG. NO.	SHT	OF	REV
B-280752	1	1	



	* Added part per NPR #0001631	08-14-97	P.J.D.
LTR	REVISIONS	DATE	APPR'D

©2009 Packless Metal Hose, Inc. All Rights Reserved. No rights or licenses, whether express, implied, arising by estoppel, or otherwise are granted or conveyed. Packless Metal Hose, Inc. is the owner of all worldwide rights, titles, and interests in and to the content of the drawings and all intellectual property rights therein, including, but not limited to, all rights and copyrights. Any use of any of the drawings without the express written approval of Packless Metal Hose, Inc. is forbidden.

**PACKLESS INDUSTRIES**

DRWN BY	B. Malcom 04-22-97	ENG. APPR	P.J.D. 04-23-97
CHKD BY		MFG. APPR	

TITLE	#A210SR8091 COAX-2750-S-14-240
	*#A212SR8051 COCX-2750-S-14-240
SCALE	1/4

FINISH	Black Enamel Paint
--------	--------------------

UNLESS OTHERWISE SPECIFIED TOLERANCES ON FRACTIONS ± 3/8 DECIMALS ANGLES MATERIAL
---

DWG. NO.	SHT	OF	REV
B-280752	1	1	