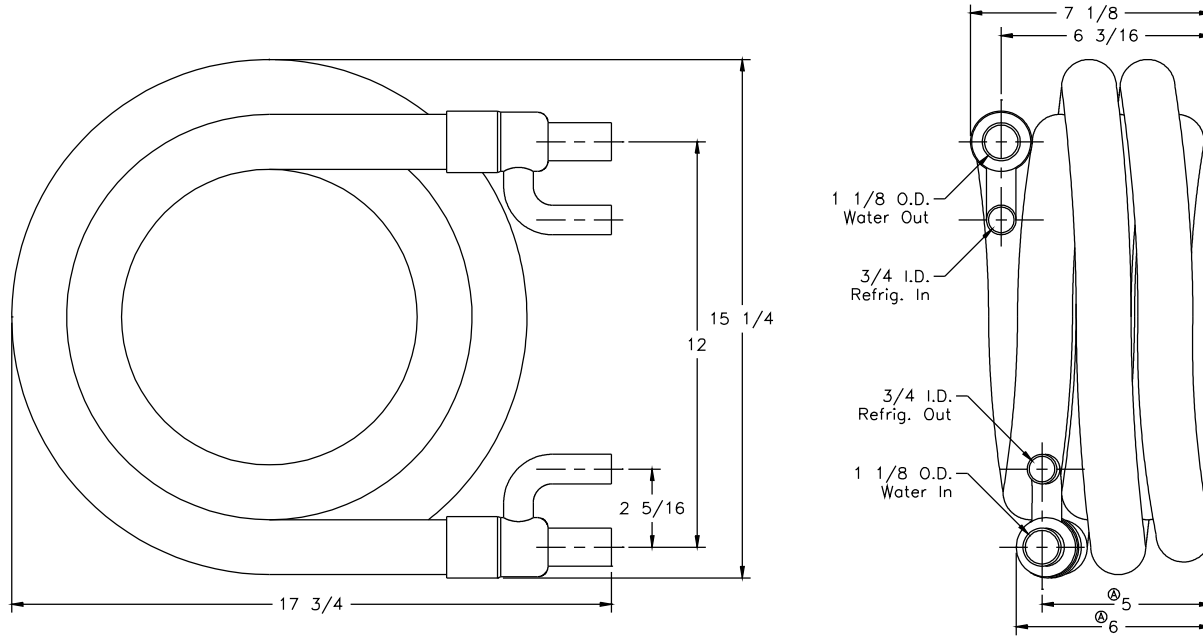


PMH-400 Rev C

DWG. NO. B-280601 SHT OF 1 1 REV A



*	Added part per NPR # 0001017	09-15-86	P.J.D.
A	Revised per ECN # 0000940	02-04-86	P.J.D.
LTR	REVISIONS	DATE	APPR'D

©2009 Packless Metal Hose, Inc. All Rights Reserved. No rights or licenses, whether express, implied, arising by estoppel, or otherwise are granted or conveyed. Packless Metal Hose, Inc. is the owner of all worldwide rights, titles, and interests in and to the content of the drawings and all intellectual property rights therein, including, but not limited to, all rights and copyrights. Any use of any of the drawings without the express written approval of Packless Metal Hose, Inc. is forbidden.

**PACKLESS INDUSTRIES**

DRWN BY	B. Malcom 02-13-85	ENG. APPR	P.J.D 04-23-85
CHKD BY		MFG. APPR	

TITLE	Ⓞ # A210JQ8021 COAX-2600-J-13-214
	• # A212JQ8001 COCX-2600-J-13-214
SCALE	3/8
DWG. NO.	Ⓞ B-280601
SHT OF	1 1
REV	A

FINISH	Black Enamel Paint
--------	--------------------

UNLESS OTHERWISE SPECIFIED TOLERANCES ON FRACTIONS ± 1/2 DECIMALS ANGLES MATERIAL
---