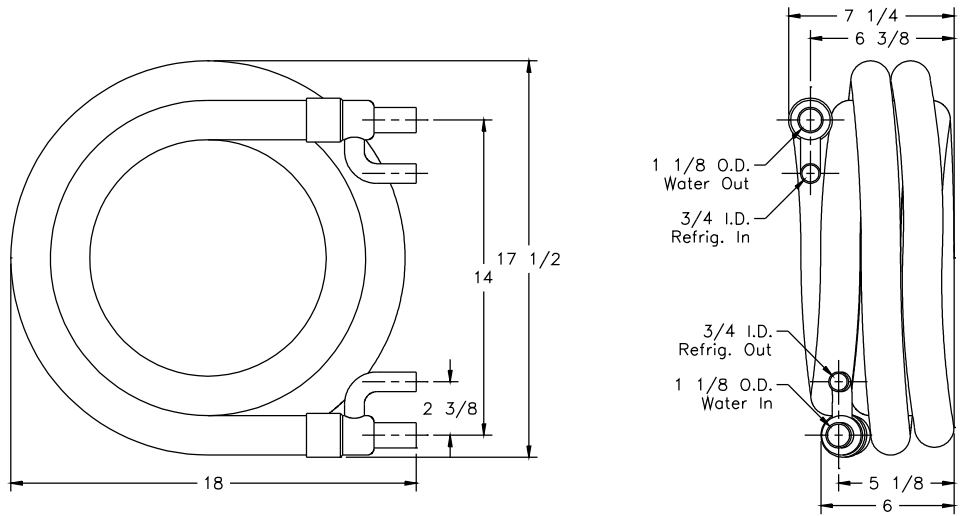


PMH-400 Rev C

DWG. NO. B-283751 SHT OF 1 REV



LTR	REVISIONS	DATE	APPR'D

©2009 Packless Metal Hose, Inc. All Rights Reserved. No rights or licenses, whether express, implied, arising by estoppel, or otherwise are granted or conveyed. Packless Metal Hose, Inc. is the owner of all worldwide rights, titles, and interests in and to the content of the drawings and all intellectual property rights therein, including, but not limited to, all rights and copyrights. Any use of any of the drawings without the express written approval of Packless Metal Hose, Inc. is forbidden.

**PACKLESS INDUSTRIES**

DRWN BY B. Malcom	01-12-12	ENG. APPR P.J.D.	01-12-12
CHKD BY		MFG. APPR	

TITLE  
#A220JR8001 COAX-7750-J-14-253  
#A222JR8001 COCX-7750-J-14-253

SCALE 1/4 DWG. NO. B-283751 SHT OF 1 REV

FINISH  
Black Enamel Paint

UNLESS OTHERWISE SPECIFIED TOLERANCES ON FRACTIONS ± 1/2 DECIMALS ANGLES MATERIAL