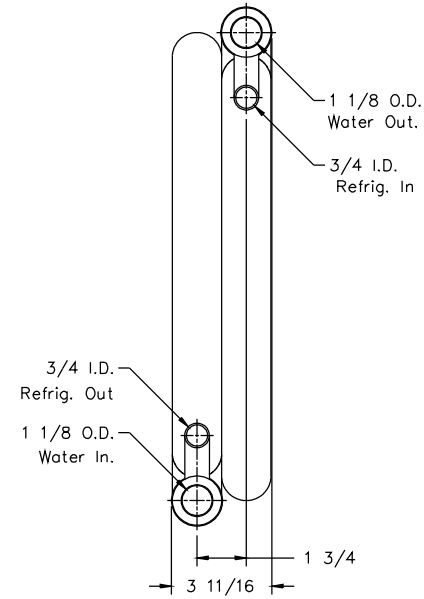
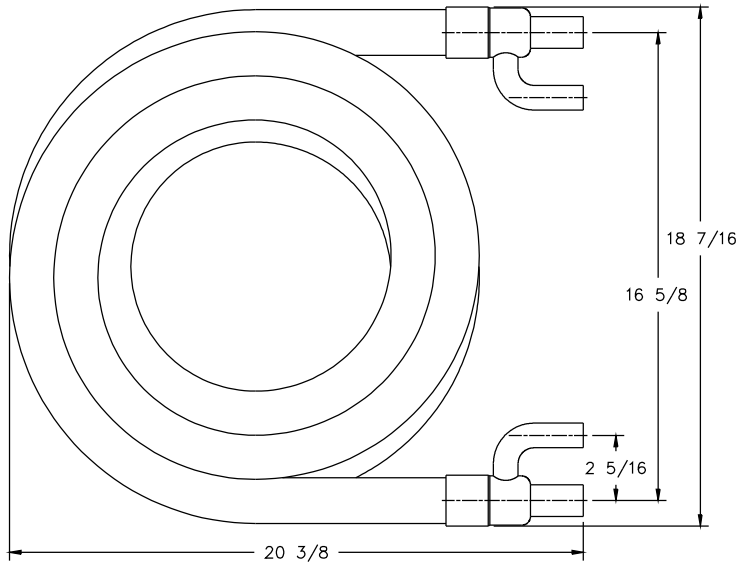


PMH-400 Rev C

DWG. NO. B-283602 SHT OF 1 1 REV



LTR	REVISIONS	DATE	APPR'D

©2009 Packless Metal Hose, Inc. All Rights Reserved. No rights or licenses, whether express, implied, arising by estoppel, or otherwise are granted or conveyed. Packless Metal Hose, Inc. is the owner of all worldwide rights, titles, and interests in and to the content of the drawings and all intellectual property rights therein, including, but not limited to, all rights and copyrights. Any use of any of the drawings without the express written approval of Packless Metal Hose, Inc. is forbidden.

PACKLESS INDUSTRIES

DRWN BY E.Cardenas	01-26-12	ENG. APPR P.J.D.	01-26-12
CHKD BY		MFG. APPR	

TITLE
#A220SQ8001 COAX-7600-S-13-207
#A222SQ8001 COCX-7600-S-13-208

SCALE 5/16 DWG. NO. B-283602 SHT OF 1 1 REV

FINISH
Black
Enamel
Paint

UNLESS OTHERWISE SPECIFIED TOLERANCES ON FRACTIONS ± 3/8 DECIMALS ANGLES MATERIAL