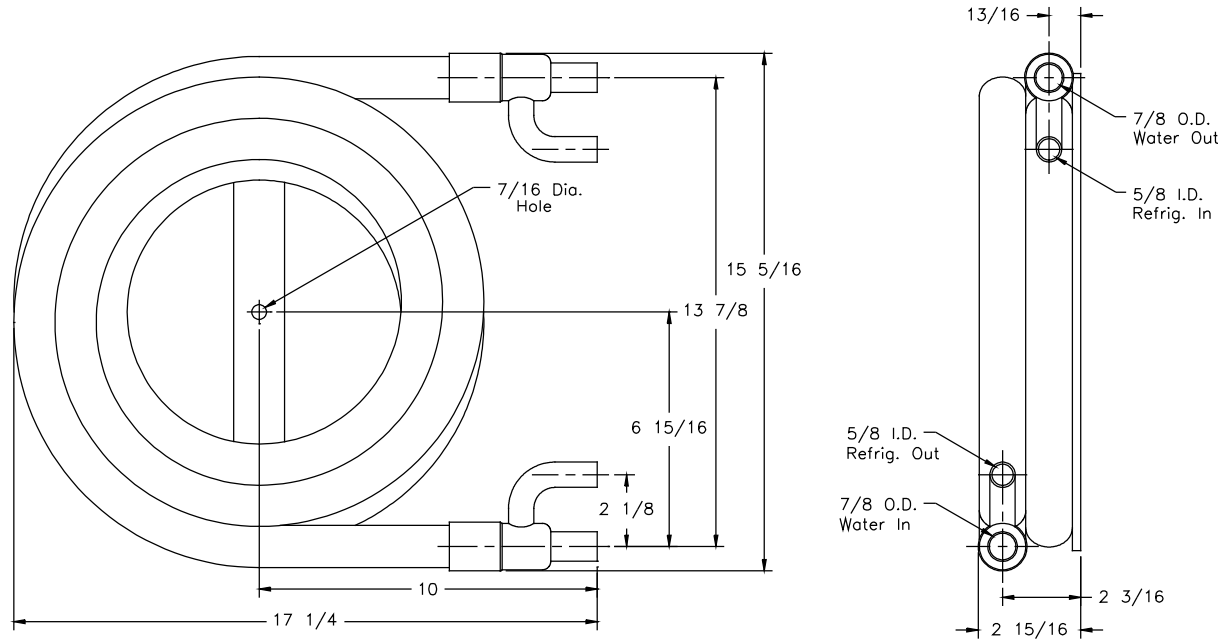


PMH-400 Rev C

DWG. NO. B-283362 SHT OF 1 1 REV



| LTR | REVISIONS | DATE | APPR'D |
|-----|-----------|------|--------|
| | | | |

©2009 Packless Metal Hose, Inc. All Rights Reserved. No rights or licenses, whether express, implied, arising by estoppel, or otherwise are granted or conveyed. Packless Metal Hose, Inc. is the owner of all worldwide rights, titles, and interests in and to the content of the drawings and all intellectual property rights therein, including, but not limited to, all rights and copyrights. Any use of any of the drawings without the express written approval of Packless Metal Hose, Inc. is forbidden.

| | | | | |
|--------------------------------|------------------------------|--|----------------------------------|---|
| PACKLESS INDUSTRIES | | TITLE | FINISH | UNLESS OTHERWISE SPECIFIED TOLERANCES ON FRACTIONS ± 3/8 DECIMALS ANGLES MATERIAL |
| DRWN BY E.Cardenas 12-05-13 | ENG. APPR P.J.D. 12-05-13 | #A220SM8011 COAX-7351-S-10-172 #A222SM8011 COCX-7351-S-10-172 | Black Enamel Point | |
| CHKD BY | MFG. APPR | SCALE 3/8 | DWG. NO. B-283362 SHT OF 1 1 REV | |