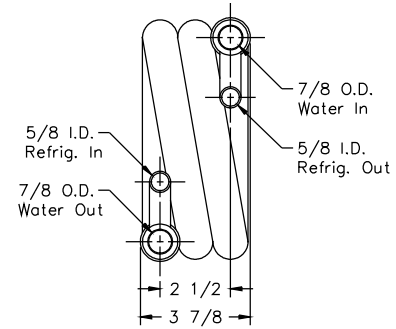
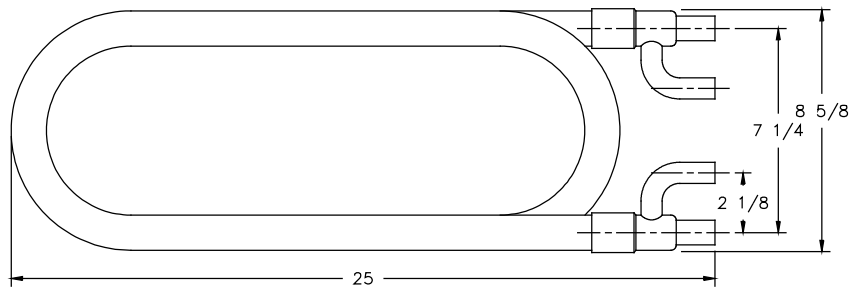


PMH-400 Rev C

DWG. NO. B-283303 SHT OF 1 1 REV



LTR	REVISIONS	DATE	APPR'D

©2009 Packless Metal Hose, Inc. All Rights Reserved. No rights or licenses, whether express, implied, arising by estoppel, or otherwise are granted or conveyed. Packless Metal Hose, Inc. is the owner of all worldwide rights, titles, and interests in and to the content of the drawings and all intellectual property rights therein, including, but not limited to, all rights and copyrights. Any use of any of the drawings without the express written approval of Packless Metal Hose, Inc. is forbidden.

PACKLESS INDUSTRIES
 DRWN BY E.Cardenas 05-15-13
 ENG. APPR P.J.D. 05-15-13
 CHKD BY MFG. APPR

TITLE #A220TL8001 COAX-7300-T-10-143
 #A222TL8001 COCX-7300-T-10-143
 SCALE 5/16
 DWG. NO. B-283303 SHT OF 1 1 REV

FINISH Black Enamel Point

UNLESS OTHERWISE SPECIFIED TOLERANCES ON FRACTIONS ± 3/8 DECIMALS ANGLES MATERIAL