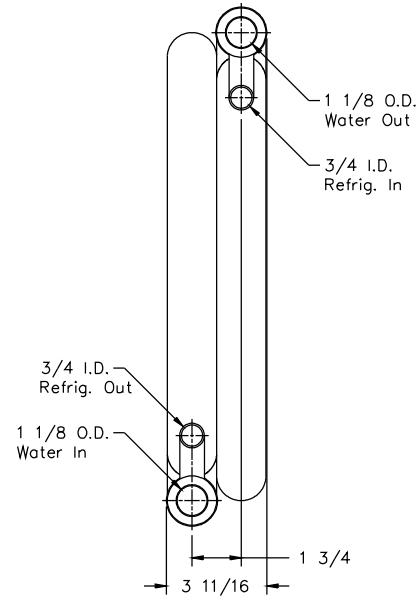
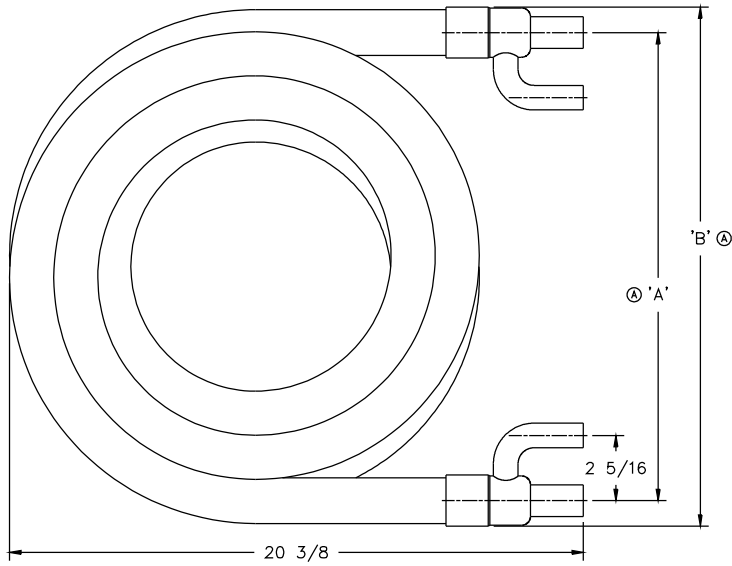


PMH-400 Rev C

DWG. NO. B-280602 SHT OF 1 1 REV A

Model No.	'A'	'B'
COAX-2600-S	16 5/8	18 7/16
COCX-2600-S	16 5/8	18 7/16
CODX-2600-S	17 1/8	18 15/16



Note:  
1. Model CODX-2600-S-13-215 Does Not get painted.

A	Revised & added per ECN #0001839	04-14-03	P.J.D.
/	Added part per NPR #0001796	01-25-02	P.J.D.
LTR	REVISIONS	DATE	APPR'D

©2009 Packless Metal Hose, Inc. All Rights Reserved. No rights or licenses, whether express, implied, arising by estoppel, or otherwise are granted or conveyed. Packless Metal Hose, Inc. is the owner of all worldwide rights, titles, and interests in and to the content of the drawings and all intellectual property rights therein, including, but not limited to, all rights and copyrights. Any use of any of the drawings without the express written approval of Packless Metal Hose, Inc. is forbidden.

<b>PACKLESS INDUSTRIES</b>	
DRWN BY B. Malcom 04-12-91	ENG. APPR P.J.D. 04-24-91
CHKD BY	MFG. APPR

TITLE #A210SQ8001 COAX-2600-S-13-207 #A212SQ8001 COCX-2600-S-13-208 *#A213SQ8003 CODX-2600-S-13-215	SCALE 5/16	DWG. NO. B-280602	SHT OF 1 1	REV A
--	---------------	----------------------	---------------	----------

FINISH Block Enamel Paint (Also see Notes)	UNLESS OTHERWISE SPECIFIED TOLERANCES ON FRACTIONS ± 3/8 DECIMALS ANGLES	MATERIAL
--	--	----------