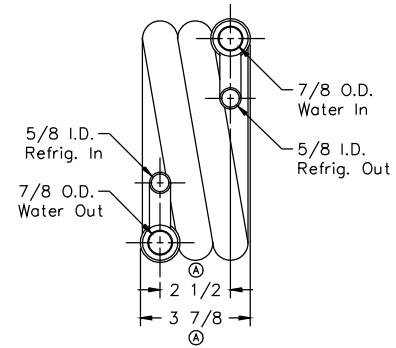
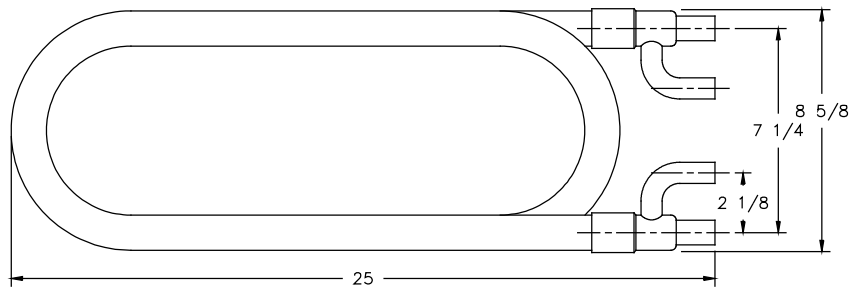


PMH-400 Rev C

DWG. NO. B-280303 SHT OF 1 1 REV A



*	Added per NPR # 0001794	12-14-01	P.J.D.
A	Revised per ECN #0001453	04-02-93	P.J.D.
LTR	REVISIONS	DATE	APPR'D

©2009 Packless Metal Hose, Inc. All Rights Reserved. No rights or licenses, whether express, implied, arising by estoppel, or otherwise are granted or conveyed. Packless Metal Hose, Inc. is the owner of all worldwide rights, titles, and interests in and to the content of the drawings and all intellectual property rights therein, including, but not limited to, all rights and copyrights. Any use of any of the drawings without the express written approval of Packless Metal Hose, Inc. is forbidden.

**PACKLESS INDUSTRIES**  
 DRWN BY B. Malcom 03-30-89  
 ENG. APPR P.J.D. 04-07-89  
 CHKD BY MFG. APPR

TITLE # A210TM8001 COAX-2300-T-10-144  
 # A212TM8021 COCX-2300-T-10-144  
 SCALE 5/16  
 DWG. NO. B-280303 SHT OF 1 1 REV A

FINISH Black Enamel Point

UNLESS OTHERWISE SPECIFIED TOLERANCES ON FRACTIONS ± 3/8 DECIMALS ANGLES MATERIAL