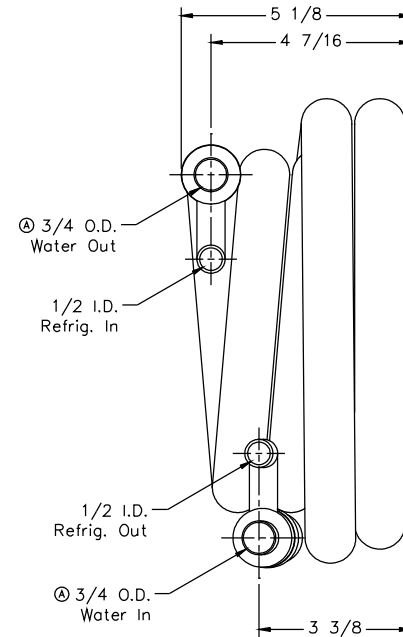
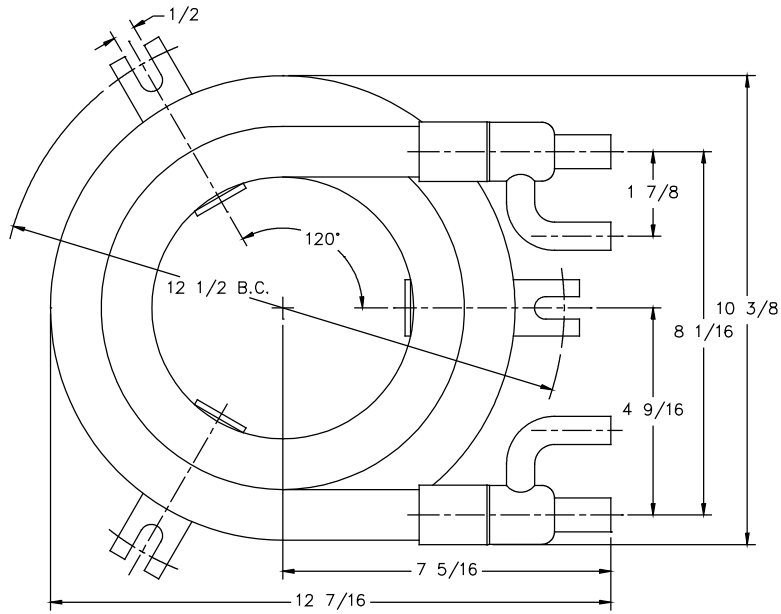


PMH-400 Rev C

DWG. NO. B-280261 SHT OF 1 1 REV A



*	Added part per NPR #0001182	04-18-88	P.J.D.
A	Revised per ECN #00001098	07-07-87	P.J.D.
LTR	REVISIONS	DATE	APPR'D

©2009 Packless Metal Hose, Inc. All Rights Reserved. No rights or licenses, whether express, implied, arising by estoppel, or otherwise are granted or conveyed. Packless Metal Hose, Inc. is the owner of all worldwide rights, titles, and interests in and to the content of the drawings and all intellectual property rights therein, including, but not limited to, all rights and copyrights. Any use of any of the drawings without the express written approval of Packless Metal Hose, Inc. is forbidden.

**PACKLESS INDUSTRIES**

DRWN BY B. Miller 01-14-87	ENG. APPR P.J.D. 02-10-87
CHKD BY	MFG. APPR

TITLE  
#A210JL8011 COAX-2251-J-09-142  
\*#A212JL8011 COCX-2251-J-09-142

SCALE 1/2 DWG. NO. B-280261 SHT OF 1 1 REV A

FINISH  
Black Enamel Paint

UNLESS OTHERWISE SPECIFIED TOLERANCES ON  
FRACTIONS ± 1/2  
DECIMALS  
ANGLES ± 3°

MATERIAL