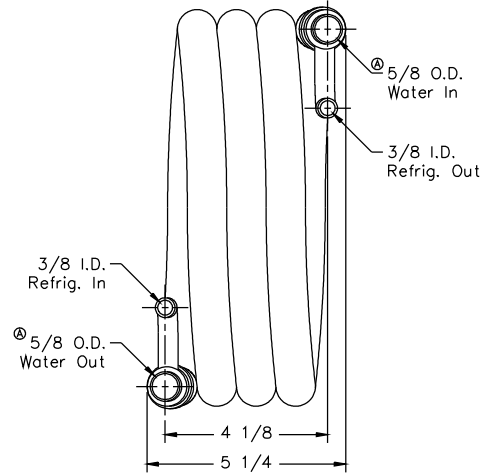
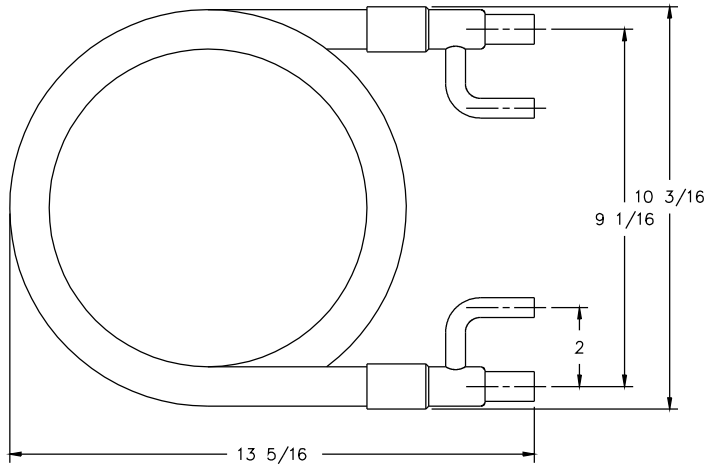


PMH-400 Rev C

DWG. NO. B-280150 SHT OF 1 1 REV A



Notes:
1. Models COBX-2150-H & CODX-2150-H, Do Not Get Painted.

*	Added part per NPR #0001675	11-18-98	P.J.D.
/	Added part per NPR #0001265	07-18-89	P.J.D.
A	Revised per ECN # 0001097	07-08-87	P.J.D.
LTR	REVISIONS	DATE	APPR'D

©2009 Packless Metal Hose, Inc. All Rights Reserved. No rights or licenses, whether express, implied, arising by estoppel, or otherwise are granted or conveyed. Packless Metal Hose, Inc. is the owner of all worldwide rights, titles, and interests in and to the content of the drawings and all intellectual property rights therein, including, but not limited to, all rights and copyrights. Any use of any of the drawings without the express written approval of Packless Metal Hose, Inc. is forbidden.

PACKLESS INDUSTRIES

DRWN BY B. Malcom	03-10-86	ENG. APPR P.J.D.	03-24-86
CHKD BY		MFG. APPR	

TITLE	#A210HH8001 COAX-2150-H-08-110
	*#A211HH8003 COBX-2150-H-08-110
	#A212HH8001 COCX-2150-H-08-110
	#A213HH8003 CODX-2150-H-08-110
SCALE	7/16
DWG. NO.	B-280150
SHT OF	1 1
REV	A

FINISH	Block Enamel Paint	UNLESS OTHERWISE SPECIFIED TOLERANCES ON
See Notes		FRACTIONS ± 3/8
		DECIMALS ± .005
		ANGLES ± 3°
		MATERIAL